

Mod. G7522 - Fittings Series 7000 - Automation

Product code: G7522 6-M5

Datasheet creation date: 10/03/2025 09:13

Check the most updated document online [click here](#)

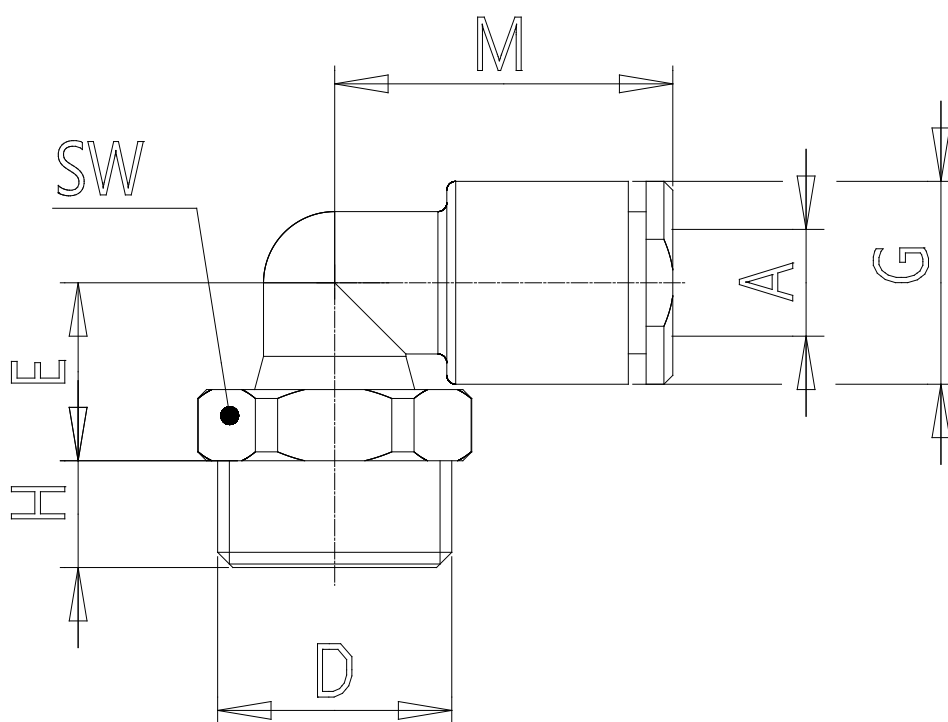


■ TECHNICAL DATA

Mod.	G7522 6-M5
------	------------

Mod. G7522 - Fittings Series 7000 - Automation

Product code: G7522 6-M5



DIMENSIONS

A (mm)	6
D	M5
E (mm)	9.2
G (mm)	11.4
H (mm)	3.5
M (mm)	19.0
SW (mm)	9
Weight (g)	5