

## Mod. G7522 - Fittings Series 7000 - Automation

Product code: G7522 8-M12X1,5

Datasheet creation date: 10/03/2025 09:13

Check the most updated document online [click here](#)

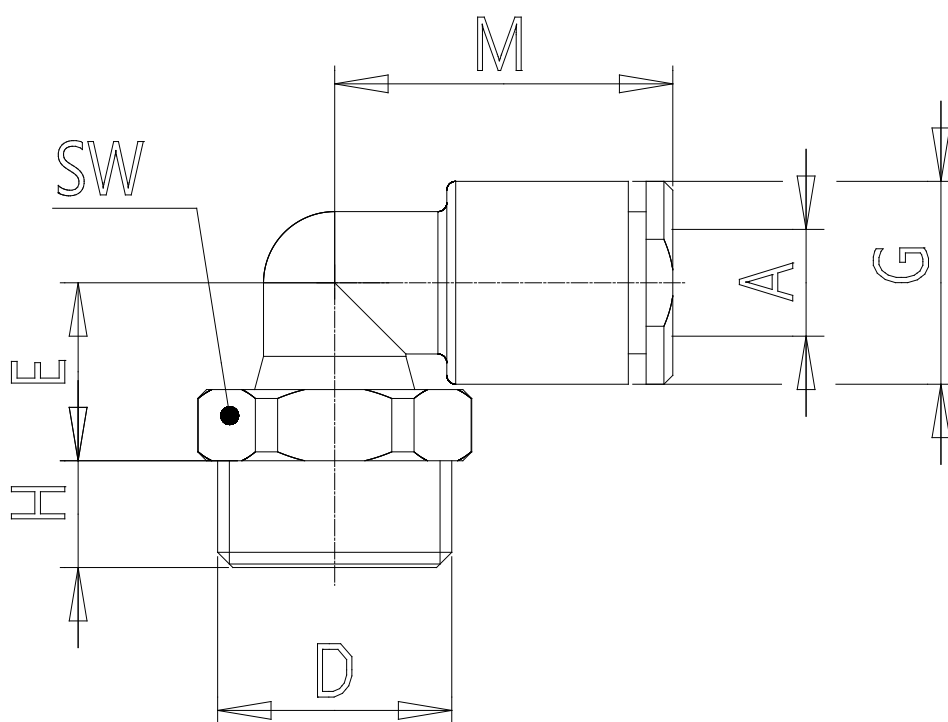


### TECHNICAL DATA

Mod.	G7522 8-M12X1,5
------	-----------------

## Mod. G7522 - Fittings Series 7000 - Automation

Product code: G7522 8-M12X1,5



### DIMENSIONS

<b>A (mm)</b>	8
<b>D</b>	M12x1,5
<b>E (mm)</b>	12.0
<b>G (mm)</b>	13.7
<b>H (mm)</b>	6.0
<b>M (mm)</b>	21.5
<b>SW (mm)</b>	14
<b>Weight (g)</b>	14