

Mod. G7540 - Fittings Series 7000 - Automation

Product code: G7540 12-12-10

Datasheet creation date: 20/05/2026 08:21

Check the most updated document online [click here](#)

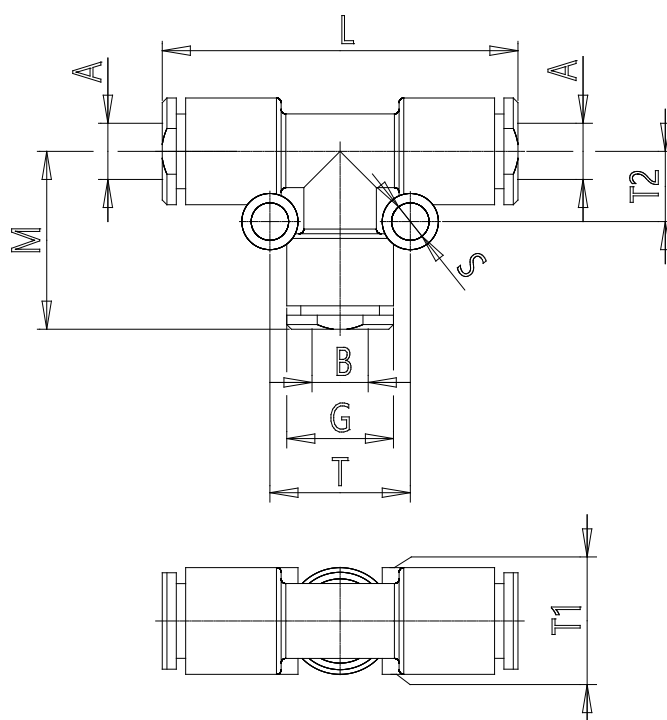


■ TECHNICAL DATA

Mod.	G7540 12-12-10
------	----------------

Mod. G7540 - Fittings Series 7000 - Automation

Product code: G7540 12-12-10



DIMENSIONS

A (mm)	12
B (mm)	10
G (mm)	20.0
L (mm)	62
M (mm)	31.0
S (mm)	4
T (mm)	19.2
T1 (mm)	20.0
T2 (mm)	9.6
Weight (g)	31