

Mod. G7540 - Fittings Series 7000 - Automation

Product code: G7540 4

Datasheet creation date: 10/03/2025 09:14

Check the most updated document online [click here](#)

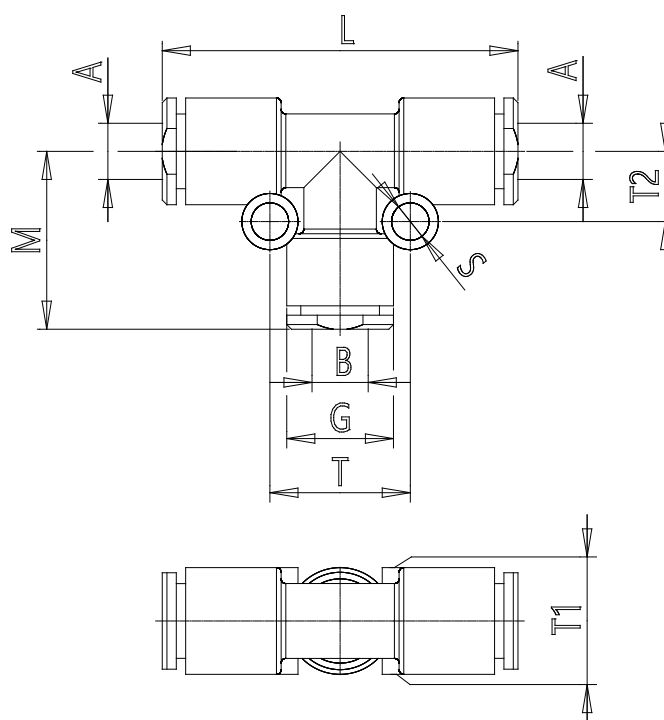


TECHNICAL DATA

Mod.	G7540 4
------	---------

Mod. G7540 - Fittings Series 7000 - Automation

Product code: G7540 4



DIMENSIONS

A (mm)	4
B (mm)	4
G (mm)	9.2
L (mm)	34
M (mm)	17.0
S (mm)	4
T (mm)	12
T1 (mm)	9.2
T2 (mm)	6.5
Weight (g)	6