

Mod. G7545 - Fittings Series 7000 - Automation

Product code: G7545 8-6

Datasheet creation date: 10/03/2025 09:14

Check the most updated document online [click here](#)

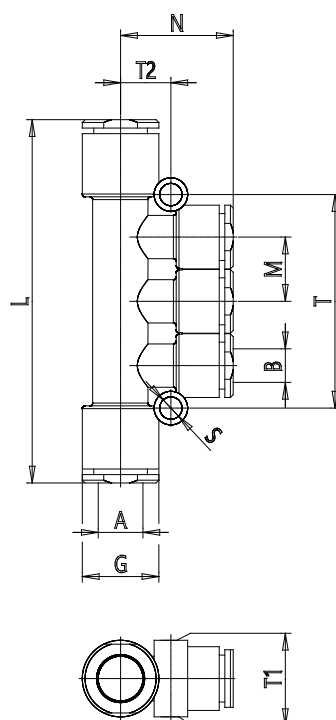


■ TECHNICAL DATA

Mod.	G7545 8-6
------	-----------

Mod. G7545 - Fittings Series 7000 - Automation

Product code: G7545 8-6



DIMENSIONS

A (mm)	8
B (mm)	6
G (mm)	13.7
L (mm)	66
M (mm)	11.5
N (mm)	27.0
T (mm)	38.2
T1 (mm)	13.7
T2 (mm)	9.0
Weight (g)	18