

Mod. G7550 - Fittings Series 7000 - Automation

Product code: G7550 10-12

Datasheet creation date: 20/05/2026 08:19

Check the most updated document online [click here](#)

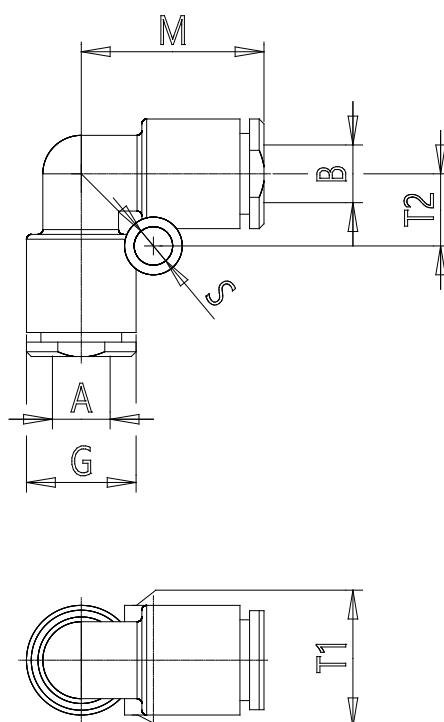


■ TECHNICAL DATA

Mod.	G7550 10-12
------	-------------

Mod. G7550 - Fittings Series 7000 - Automation

Product code: G7550 10-12



DIMENSIONS

A (mm)	10
B (mm)	12
GD (mm)	20.0
M (mm)	31.0
S (mm)	4
T1 (mm)	20.0
T2 (mm)	9.6
Weight (g)	16