

## Mod. G7550 - Fittings Series 7000 - Automation

Product code: G7550 10

Datasheet creation date: 20/05/2026 08:20

Check the most updated document online [click here](#)

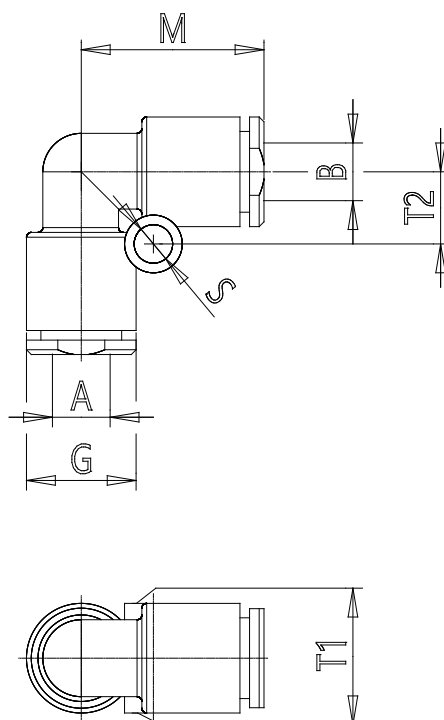


### ■ TECHNICAL DATA

Mod.	G7550 10
------	----------

## Mod. G7550 - Fittings Series 7000 - Automation

Product code: G7550 10



### DIMENSIONS

<b>A (mm)</b>	10
<b>B (mm)</b>	10
<b>GD (mm)</b>	16.3
<b>M (mm)</b>	25.0
<b>S (mm)</b>	4
<b>T1 (mm)</b>	16.3
<b>T2 (mm)</b>	8.0
<b>Weight (g)</b>	12