

## Mod. G7560 - Fittings Series 7000 - Automation

Product code: G7560 10-8

Datasheet creation date: 20/05/2026 08:19

Check the most updated document online [click here](#)

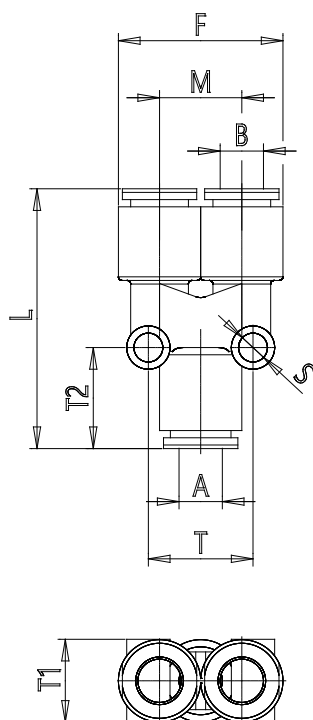


### TECHNICAL DATA

Mod.	G7560 10-8
------	------------

## Mod. G7560 - Fittings Series 7000 - Automation

Product code: G7560 10-8



### DIMENSIONS

A (mm)	10
B (mm)	8
F (mm)	26.0
L (mm)	42.0
M (mm)	12.7
S (mm)	4
T (mm)	16.3
T1 (mm)	16.3
T2 (mm)	17.5
Weight (g)	19.5