

## Mod. G7560 - Fittings Series 7000 - Automation

Product code: G7560 12

Datasheet creation date: 20/05/2026 08:18

Check the most updated document online [click here](#)

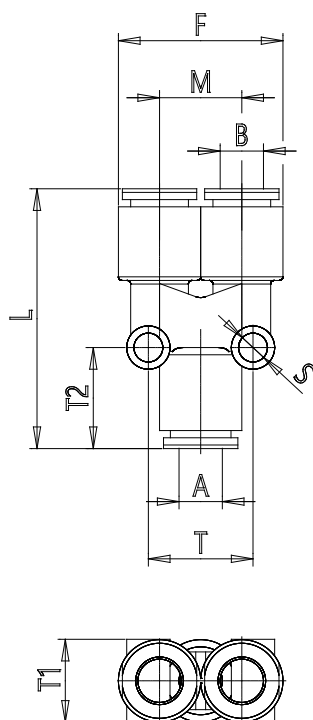


### ■ TECHNICAL DATA

Mod.	G7560 12
------	----------

## Mod. G7560 - Fittings Series 7000 - Automation

Product code: G7560 12



### DIMENSIONS

<b>A (mm)</b>	12
<b>B (mm)</b>	12
<b>F (mm)</b>	40.0
<b>L (mm)</b>	55.0
<b>M (mm)</b>	20.0
<b>S (mm)</b>	4
<b>T (mm)</b>	22.0
<b>T1 (mm)</b>	20.0
<b>T2 (mm)</b>	19.0
<b>Weight (g)</b>	27.0