

Mod. G7560 - Fittings Series 7000 - Automation

Product code: G7560 6-4

Datasheet creation date: 10/03/2025 09:15

Check the most updated document online [click here](#)

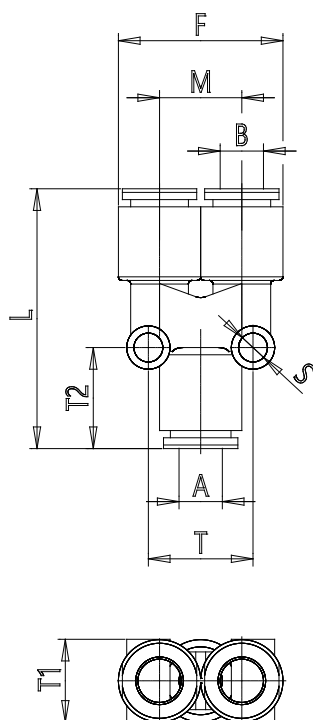


TECHNICAL DATA

Mod.	G7560 6-4
------	-----------

Mod. G7560 - Fittings Series 7000 - Automation

Product code: G7560 6-4



DIMENSIONS

A (mm)	6
B (mm)	4
E (mm)	23.0
F (mm)	18.2
H (mm)	11.0
L (mm)	34.0
M (mm)	9.0
S (mm)	4
T (mm)	12.2
T1 (mm)	11.5
T2 (mm)	15
Weight (g)	8