

## Mod. G7560 - Fittings Series 7000 - Automation

Product code: G7560 6

Datasheet creation date: 10/03/2025 09:15

Check the most updated document online [click here](#)

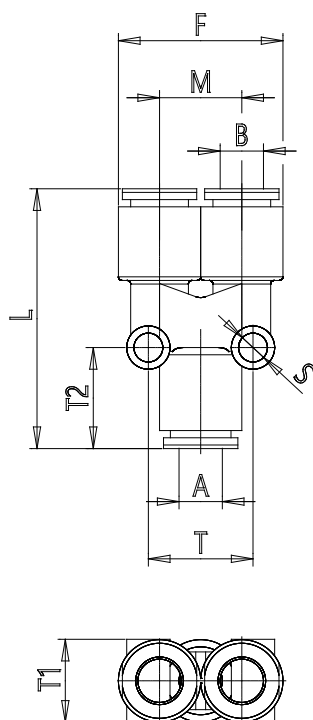


### ■ TECHNICAL DATA

Mod.	G7560 6
------	---------

## Mod. G7560 - Fittings Series 7000 - Automation

Product code: G7560 6



### DIMENSIONS

<b>A (mm)</b>	6
<b>B (mm)</b>	6
<b>E (mm)</b>	21.2
<b>F (mm)</b>	23.0
<b>H (mm)</b>	7.5
<b>L (mm)</b>	36.0
<b>M (mm)</b>	11.4
<b>S (mm)</b>	4
<b>T (mm)</b>	14.5
<b>T1 (mm)</b>	11.5
<b>T2 (mm)</b>	14
<b>Weight (g)</b>	9