

Mod. G7560 - Fittings Series 7000 - Automation

Product code: G7560 8

Datasheet creation date: 10/03/2025 09:15

Check the most updated document online [click here](#)

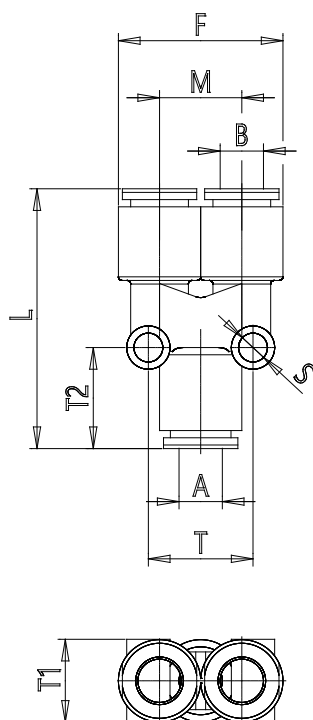


TECHNICAL DATA

Mod.	G7560 8
------	---------

Mod. G7560 - Fittings Series 7000 - Automation

Product code: G7560 8



DIMENSIONS

A (mm)	8
B (mm)	8
E (mm)	22.3
F (mm)	27.2
H (mm)	7.5
L (mm)	41.5
M (mm)	13.5
S (mm)	4
T (mm)	17.0
T1 (mm)	14.0
T2 (mm)	15
Weight (g)	15