

Mod. G7572 - Fittings Series 7000 - Automation

Product code: G7572 6-1/8

Datasheet creation date: 10/03/2025 09:15

Check the most updated document online [click here](#)

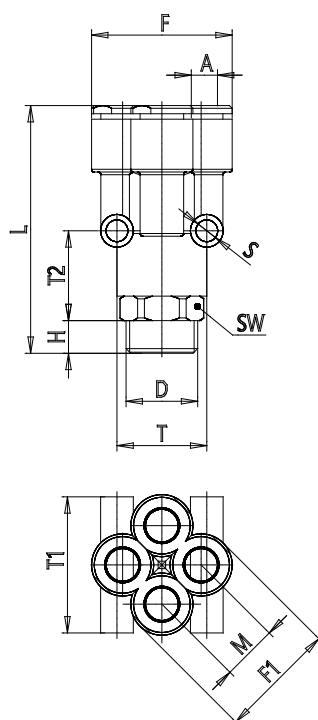


■ TECHNICAL DATA

Mod.	G7572 6-1/8
------	-------------

Mod. G7572 - Fittings Series 7000 - Automation

Product code: G7572 6-1/8



DIMENSIONS

A (mm)	6
D	G1/8
F (mm)	25
H (mm)	5
L (mm)	45.5
M (mm)	10.2
S (mm)	4
T (mm)	16.5
T1 (mm)	25
T2 (mm)	17.5
Weight (g)	17