

Mod. G7575 - Fittings Series 7000 - Automation

Product code: G7575 4

Datasheet creation date: 10/03/2025 09:15

Check the most updated document online [click here](#)

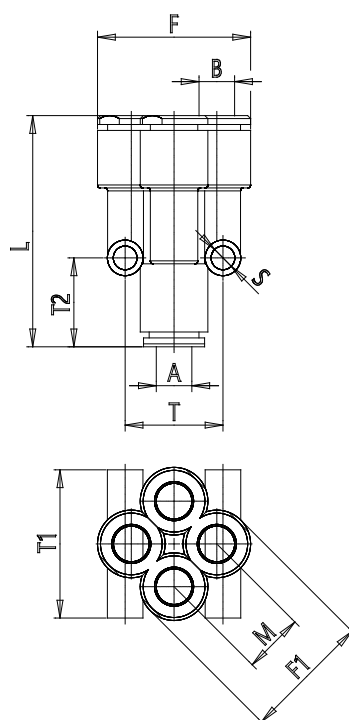


■ TECHNICAL DATA

| | |
|------|---------|
| Mod. | G7575 4 |
|------|---------|

Mod. G7575 - Fittings Series 7000 - Automation

Product code: G7575 4



DIMENSIONS

| | |
|-------------------|------|
| A (mm) | 4 |
| B (mm) | 4 |
| F (mm) | 20.5 |
| F1 (mm) | 17 |
| L (mm) | 33.1 |
| M (mm) | 8.3 |
| S (mm) | 4 |
| T (mm) | 14.5 |
| T1 (mm) | 20.5 |
| T2 (mm) | 13.5 |
| Weight (g) | 12 |