

Mod. G7575 - Fittings Series 7000 - Automation

Product code: G7575 6

Datasheet creation date: 10/03/2025 09:15

Check the most updated document online [click here](#)

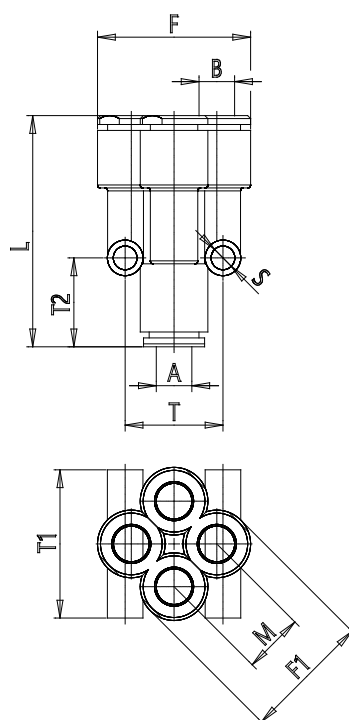


■ TECHNICAL DATA

Mod.	G7575 6
------	---------

Mod. G7575 - Fittings Series 7000 - Automation

Product code: G7575 6



DIMENSIONS

A (mm)	6
B (mm)	6
F (mm)	25.0
F1 (mm)	21
L (mm)	38.0
M (mm)	10.2
S (mm)	4
T (mm)	16.5
T1 (mm)	25.0
T2 (mm)	15.0
Weight (g)	17