

Mod. G7580 - Fittings Series 7000 - Automation

Product code: G7580 12-16

Datasheet creation date: 20/05/2026 08:21

Check the most updated document online [click here](#)

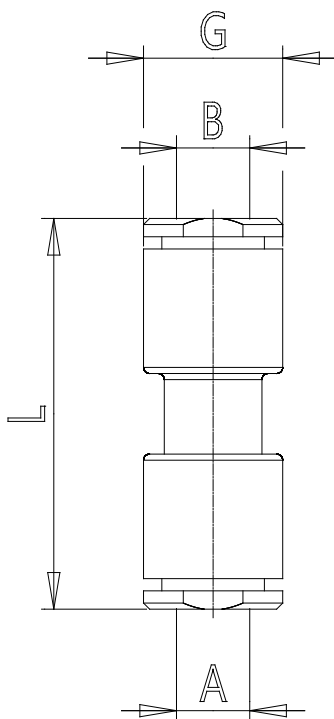


TECHNICAL DATA

Mod.	G7580 12-16
------	-------------

Mod. G7580 - Fittings Series 7000 - Automation

Product code: G7580 12-16



DIMENSIONS

A (mm)	12
B (mm)	16
GD (mm)	27.0
L (mm)	52.5
Weight (g)	15.0