

## Mod. G7580 - Fittings Series 7000 - Automation

Product code: G7580 16

Datasheet creation date: 20/05/2026 08:19

Check the most updated document online [click here](#)

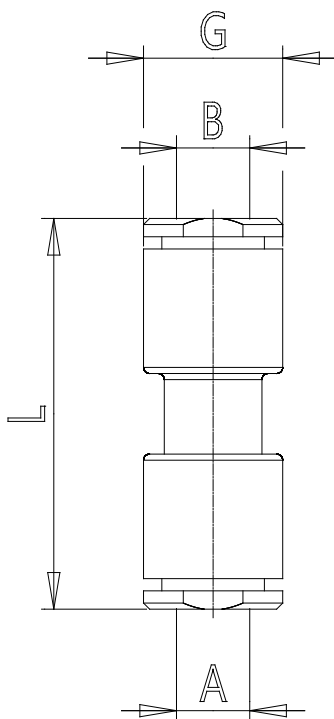


### ■ TECHNICAL DATA

Mod.	G7580 16
------	----------

## Mod. G7580 - Fittings Series 7000 - Automation

Product code: G7580 16



### **DIMENSIONS**

<b>A (mm)</b>	16
<b>B (mm)</b>	16
<b>GD (mm)</b>	27.0
<b>L (mm)</b>	60.0
<b>Weight (g)</b>	20.0