

Mod. G7580 - Fittings Series 7000 - Automation

Product code: G7580 4-6

Datasheet creation date: 10/03/2025 09:15

Check the most updated document online [click here](#)

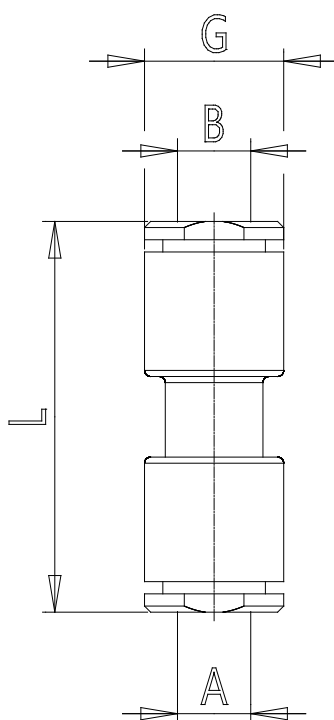


■ TECHNICAL DATA

| | |
|------|-----------|
| Mod. | G7580 4-6 |
|------|-----------|

Mod. G7580 - Fittings Series 7000 - Automation

Product code: G7580 4-6



DIMENSIONS

| | |
|-------------------|------|
| A (mm) | 4 |
| B (mm) | 6 |
| G (mm) | 9.2 |
| L (mm) | 31.5 |
| Weight (g) | 5 |