

## Mod. G7580 - Fittings Series 7000 - Automation

Product code: G7580 4

Datasheet creation date: 10/03/2025 09:15

Check the most updated document online [click here](#)

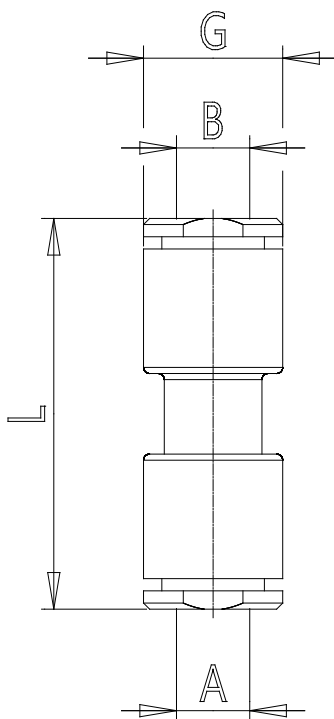


### TECHNICAL DATA

Mod.	G7580 4
------	---------

## Mod. G7580 - Fittings Series 7000 - Automation

Product code: G7580 4



### **DIMENSIONS**

<b>A (mm)</b>	4
<b>B (mm)</b>	4
<b>G (mm)</b>	9.2
<b>L (mm)</b>	29.2
<b>Weight (g)</b>	4