

Mod. G7622 - Fittings Series 7000 - Automation

A(title="()", format=""),D(title="()", format=""),E(title="()", format=""),G(title="()", format=""),H(title="()", format="")

Datasheet creation date: 20/05/2026 08:19

Check the most updated document online [click here](#)

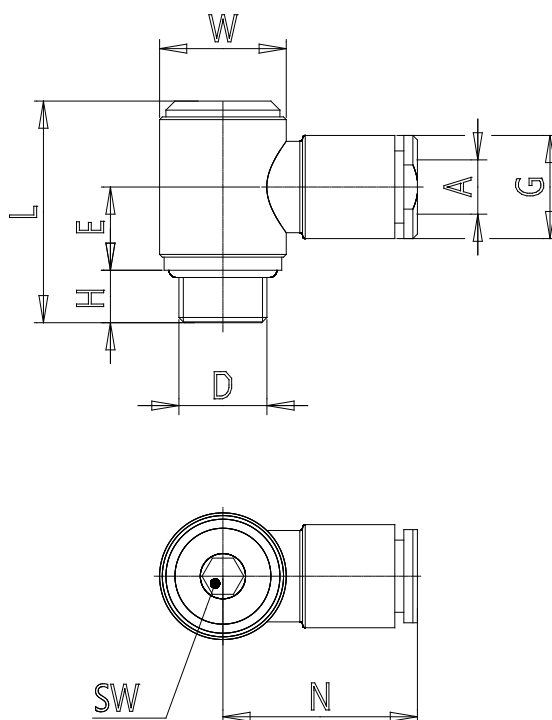


■ TECHNICAL DATA

Mod.	G7622 10-3/8
------	--------------

Mod. G7622 - Fittings Series 7000 - Automation

A(title=" ()", format=""),D(title=" ()", format=""),E(title=" ()", format=""),G(title=" ()", format=""),H(title=" ()", format="")



DIMENSIONS

A (mm)	10
D	G3/8
E (mm)	11.7
G (mm)	16.3
H (mm)	7
L (mm)	29.5
N (mm)	28.0
W (mm)	18.5
SW (mm)	5.0
Weight (g)	34