

Mod. G7622 - Fittings Series 7000 - Automation

A(title=" ()", format=""),D(title=" ()", format=""),E(title=" ()", format=""),G(title=" ()", format=""),H(title=" ()", format="")

Datasheet creation date: 10/03/2025 09:16

Check the most updated document online [click here](#)

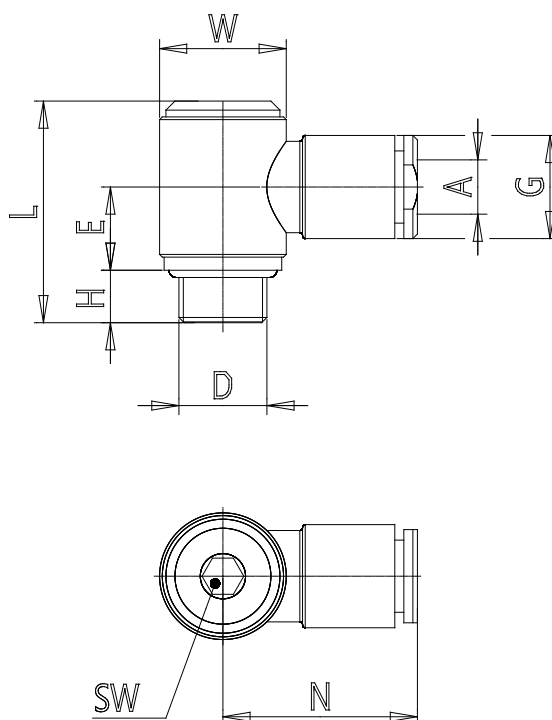


■ TECHNICAL DATA

Mod.	G7622 8-1/4
------	-------------

Mod. G7622 - Fittings Series 7000 - Automation

A(title=" ()", format=""),D(title=" ()", format=""),E(title=" ()", format=""),G(title=" ()", format=""),H(title=" ()", format="")



DIMENSIONS

A (mm)	8
D	G1/4
E (mm)	12.5
G (mm)	13.7
H (mm)	6
L (mm)	28.0
N (mm)	25.5
W (mm)	18.5
SW (mm)	5.0
Weight (g)	26