

## Mod. G7640 - Fittings Series 7000 - Automation

Product code: G7640 10-1/4

Datasheet creation date: 20/05/2026 08:19

Check the most updated document online [click here](#)

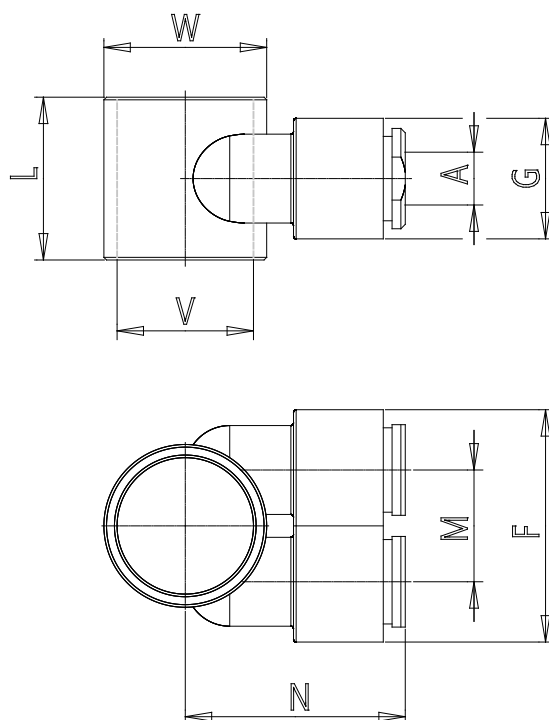


### TECHNICAL DATA

Mod.	G7640 10-1/4
------	--------------

## Mod. G7640 - Fittings Series 7000 - Automation

Product code: G7640 10-1/4



### **DIMENSIONS**

<b>A (mm)</b>	10
<b>F (mm)</b>	31.5
<b>G (mm)</b>	16.3
<b>L (mm)</b>	18.5
<b>M (mm)</b>	15.0
<b>N (mm)</b>	27.5
<b>W (mm)</b>	18.5
<b>Weight (g)</b>	13