

Mod. G7652 - Fittings Series 7000 - Automation

Product code: G7652 10-3/8

Datasheet creation date: 20/05/2026 08:19

Check the most updated document online [click here](#)

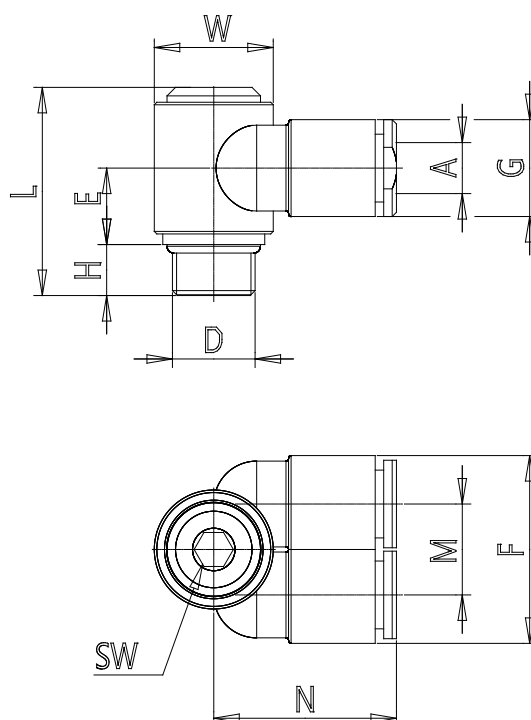


■ TECHNICAL DATA

Mod.	G7652 10-3/8
------	--------------

Mod. G7652 - Fittings Series 7000 - Automation

Product code: G7652 10-3/8



DIMENSIONS

A (mm)	10
D	G3/8
E (mm)	12.0
F (mm)	31.5
G (mm)	16.3
H (mm)	7
L (mm)	29.5
M (mm)	15.0
N (mm)	27.5
W (mm)	18.5
SW (mm)	5
Weight (g)	33