

Mod. G7652 - Fittings Series 7000 - Automation

Product code: G7652 8-1/8

Datasheet creation date: 10/03/2025 09:16

Check the most updated document online [click here](#)

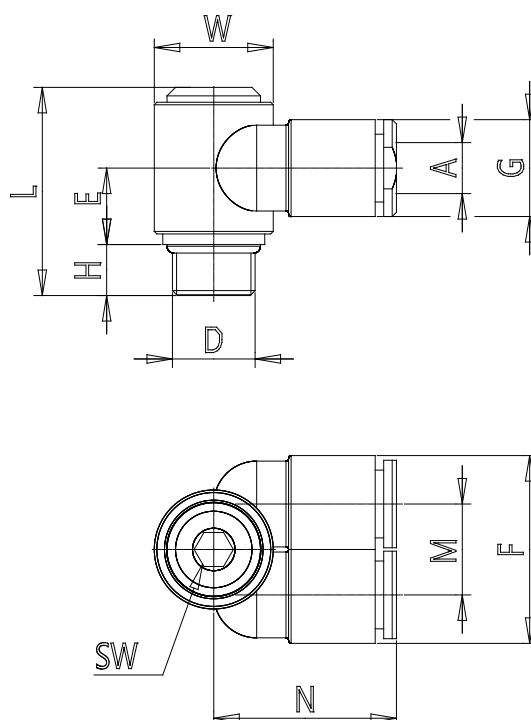


■ TECHNICAL DATA

| | |
|------|-------------|
| Mod. | G7652 8-1/8 |
|------|-------------|

Mod. G7652 - Fittings Series 7000 - Automation

Product code: G7652 8-1/8



DIMENSIONS

| | |
|-------------------|------|
| A (mm) | 8 |
| D | G1/8 |
| E (mm) | 10.0 |
| F (mm) | 26.6 |
| G (mm) | 13.7 |
| H (mm) | 5 |
| L (mm) | 24.5 |
| M (mm) | 12.7 |
| N (mm) | 23.0 |
| W (mm) | 14.0 |
| SW (mm) | 4 |
| Weight (g) | 10 |