

Mod. G7800 - Fittings Series 7000 - Automation

Product code: G7800 4-6

Datasheet creation date: 10/03/2025 09:16

Check the most updated document online [click here](#)

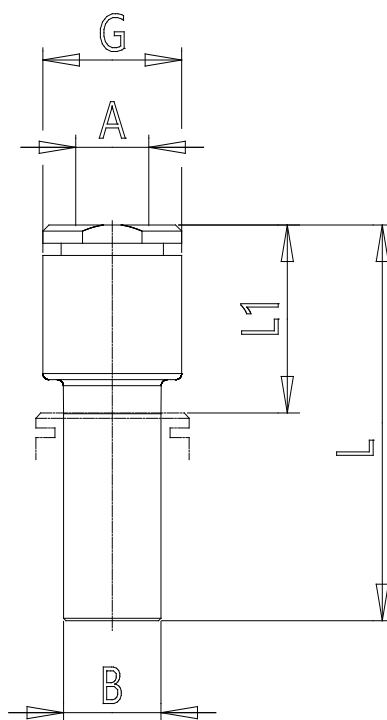


TECHNICAL DATA

Mod.	G7800 4-6
------	-----------

Mod. G7800 - Fittings Series 7000 - Automation

Product code: G7800 4-6



DIMENSIONS

A (mm)	4
B (mm)	6
G (mm)	9.3
L (mm)	29.5
L1 (mm)	14.0
Weight (g)	2