

## Mod. G7800 - Fittings Series 7000 - Automation

Product code: G7800 6-10

Datasheet creation date: 10/03/2025 09:16

Check the most updated document online [click here](#)

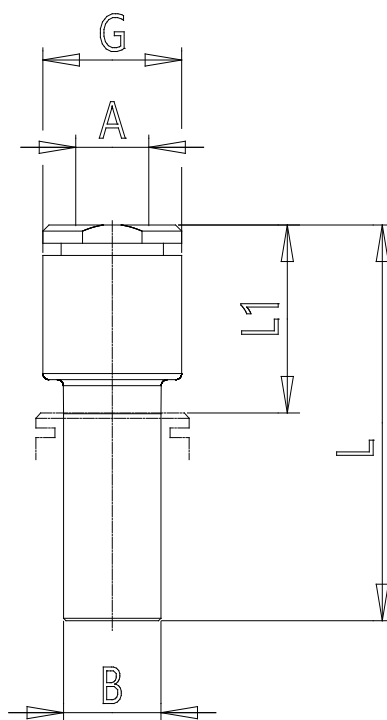


### TECHNICAL DATA

Mod.	G7800 6-10
------	------------

## Mod. G7800 - Fittings Series 7000 - Automation

Product code: G7800 6-10



### DIMENSIONS

<b>A (mm)</b>	6
<b>B (mm)</b>	10
<b>G (mm)</b>	11.4
<b>L (mm)</b>	34.5
<b>L1 (mm)</b>	15.5
<b>Weight (g)</b>	4