

Mod. G7800 - Fittings Series 7000 - Automation

Product code: G7800 8-10

Datasheet creation date: 10/03/2025 09:16

Check the most updated document online [click here](#)

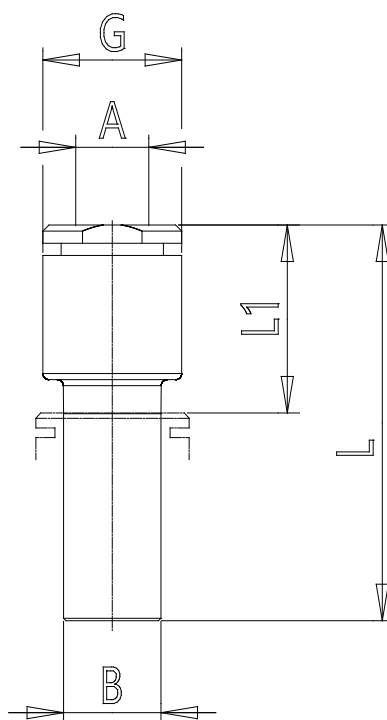


TECHNICAL DATA

Mod.	G7800 8-10
------	------------

Mod. G7800 - Fittings Series 7000 - Automation

Product code: G7800 8-10



DIMENSIONS

A (mm)	8
B (mm)	10
G (mm)	13.7
L (mm)	36.2
L1 (mm)	17.2
Weight (g)	5