

Mod. G7800 - Fittings Series 7000 - Automation

Product code: G7800 8-12

Datasheet creation date: 10/03/2025 09:16

Check the most updated document online [click here](#)

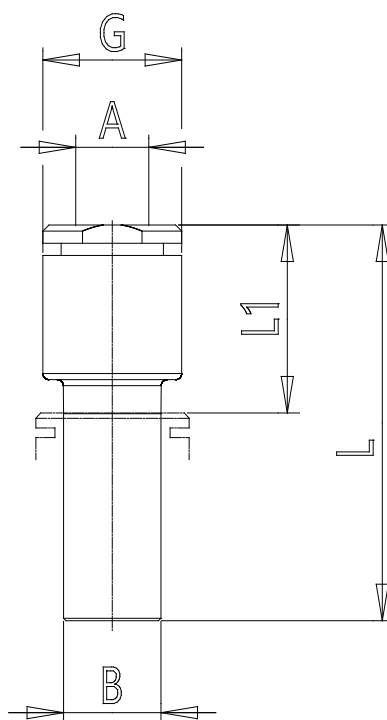


■ TECHNICAL DATA

Mod.	G7800 8-12
------	------------

Mod. G7800 - Fittings Series 7000 - Automation

Product code: G7800 8-12



DIMENSIONS

A (mm)	8
B (mm)	12
G (mm)	13.7
L (mm)	37.9
L1 (mm)	17.2
Weight (g)	6