

## Piston Rod - Mod. GA

Product code: GA-160-200

Datasheet creation date: 07/03/2025 15:58

Check the most updated document online [click here](#)

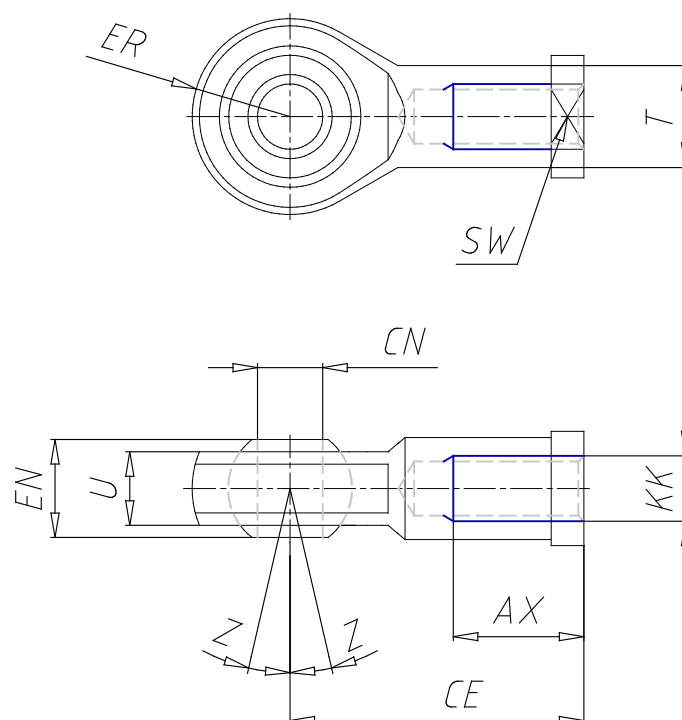


### TECHNICAL DATA

Mod.	GA-160-200
------	------------

## Piston Rod - Mod. GA

Product code: GA-160-200



### DIMENSIONS

<b>Ø CN H7 (mm)</b>	35
<b>U (mm)</b>	28
<b>EN (mm)</b>	43
<b>ER (mm)</b>	40
<b>AX (mm)</b>	56
<b>CE (mm)</b>	125
<b>KK</b>	M 36x2
<b>Ø T (mm)</b>	46
<b>Z (°)</b>	6
<b>SW (mm)</b>	50