

Planetary gear orthogonal - Mod. GB A

Product code: GB-040-05-A-0024

Datasheet creation date: 07/03/2025 14:31

Check the most updated document online [click here](#)

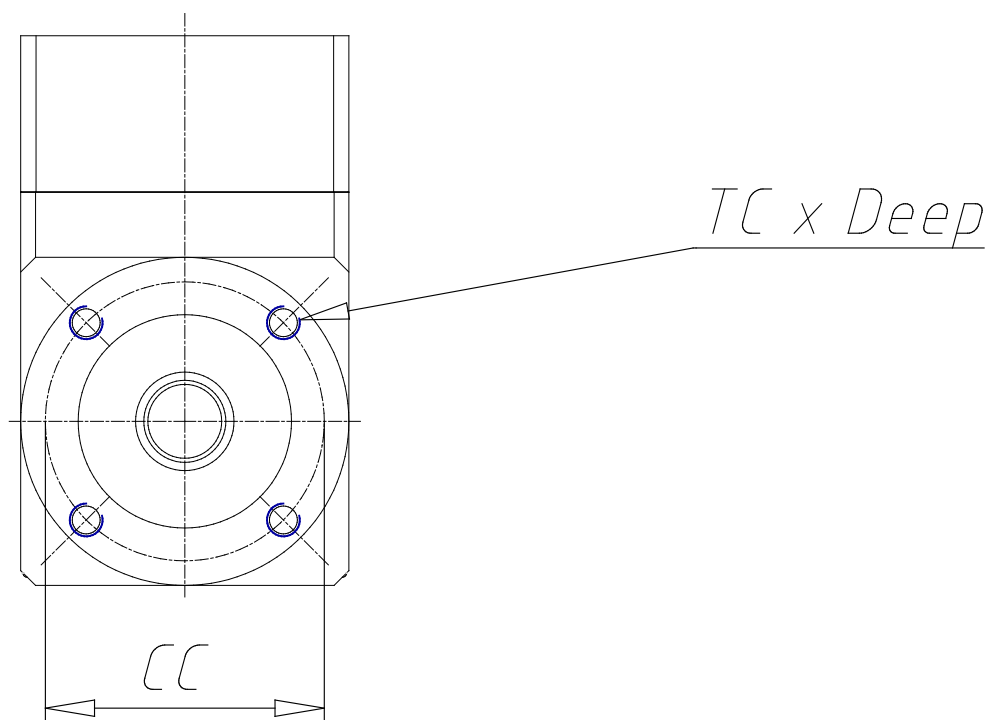


TECHNICAL DATA

| | |
|----------|------------------|
| Mod. | GB-040-05-A-0024 |
| BACKLASH | <21' |

Planetary gear orthogonal - Mod. GB A

Product code: GB-040-05-A-0024



DIMENSIONS

| | |
|-------------|--------|
| DS (mm) | 10 |
| LS (mm) | 26 |
| DC (mm) | 26 |
| LC (mm) | 2 |
| CC (mm) | 34 |
| TC x Depth | M4 x 6 |
| EA (mm) | 84 |
| EB (mm) | 60 |
| EC (mm) | 63.0 |
| DG (mm) | 40 |
| DM (mm) | 8 |
| CM (mm) | 66.7 |
| TM x Depth | M4 x 7 |
| Weight (kg) | 0.51 |