

## Planetary gear orthogonal - Mod. GB A

Product code: GB-040-05-A-0100

Datasheet creation date: 07/03/2025 15:37

Check the most updated document online [click here](#)

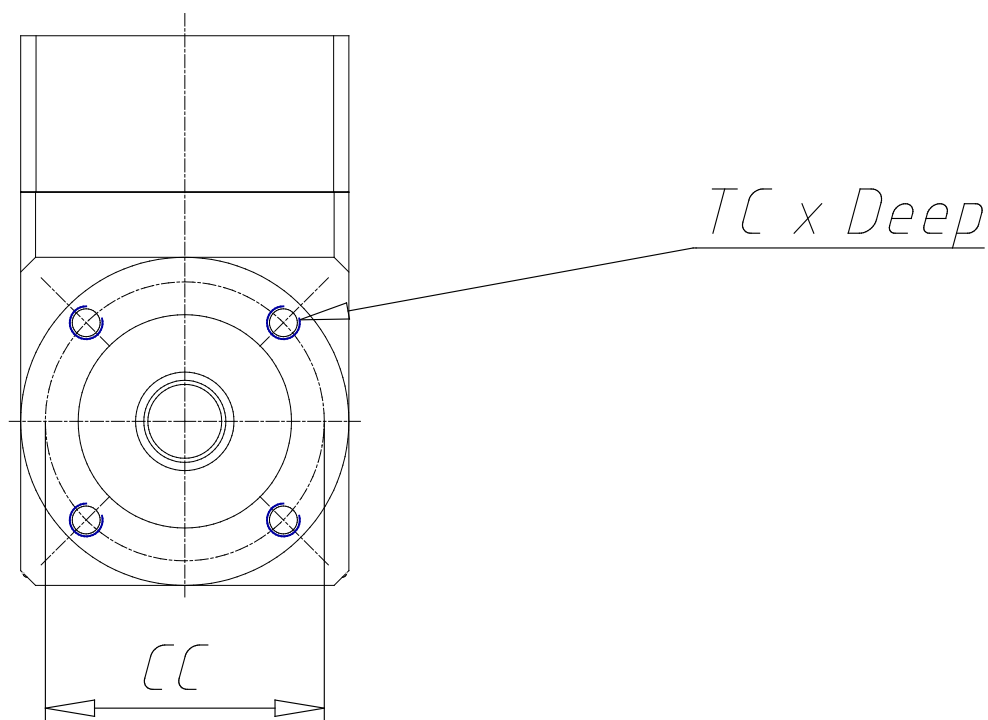


### TECHNICAL DATA

Mod.	GB-040-05-A-0100
BACKLASH	<21'

## Planetary gear orthogonal - Mod. GB A

Product code: GB-040-05-A-0100



### DIMENSIONS

DS (mm)	10
LS (mm)	26
DC (mm)	26
LC (mm)	2
CC (mm)	34
TC x Depth	M4 x 6
EA (mm)	84
EB (mm)	40
EC (mm)	67.0
DG (mm)	40
DM (mm)	8
CM (mm)	45.0
TM x Depth	M3 x 7
Weight (kg)	0.51