

Planetary gear orthogonal - Mod. GB A

Product code: GB-060-07-A-0400

Datasheet creation date: 07/03/2025 15:37

Check the most updated document online [click here](#)

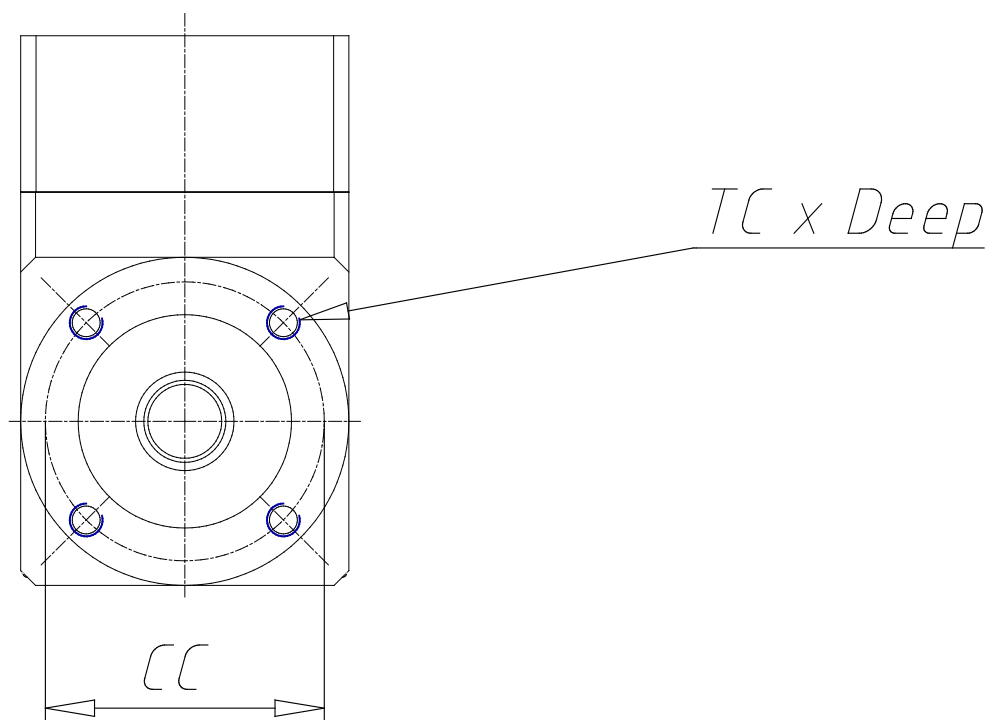


TECHNICAL DATA

| | |
|----------|------------------|
| Mod. | GB-060-07-A-0400 |
| BACKLASH | <16' |

Planetary gear orthogonal - Mod. GB A

Product code: GB-060-07-A-0400



DIMENSIONS

| | |
|--------------------|---------|
| DS (mm) | 14 |
| LS (mm) | 35 |
| DC (mm) | 40 |
| LC (mm) | 3 |
| CC (mm) | 52 |
| TC x Depth | M5 x 8 |
| EA (mm) | 112 |
| EB (mm) | 60 |
| EC (mm) | 92.5 |
| DG (mm) | 60 |
| DM (mm) | 14 |
| CM (mm) | 70.0 |
| TM x Depth | M5 x 12 |
| Weight (kg) | 1.70 |