

## Planetary gear in line - Mod.GB D

Product code: GB-120-10-D-1000

Datasheet creation date: 07/03/2025 15:38

Check the most updated document online [click here](#)

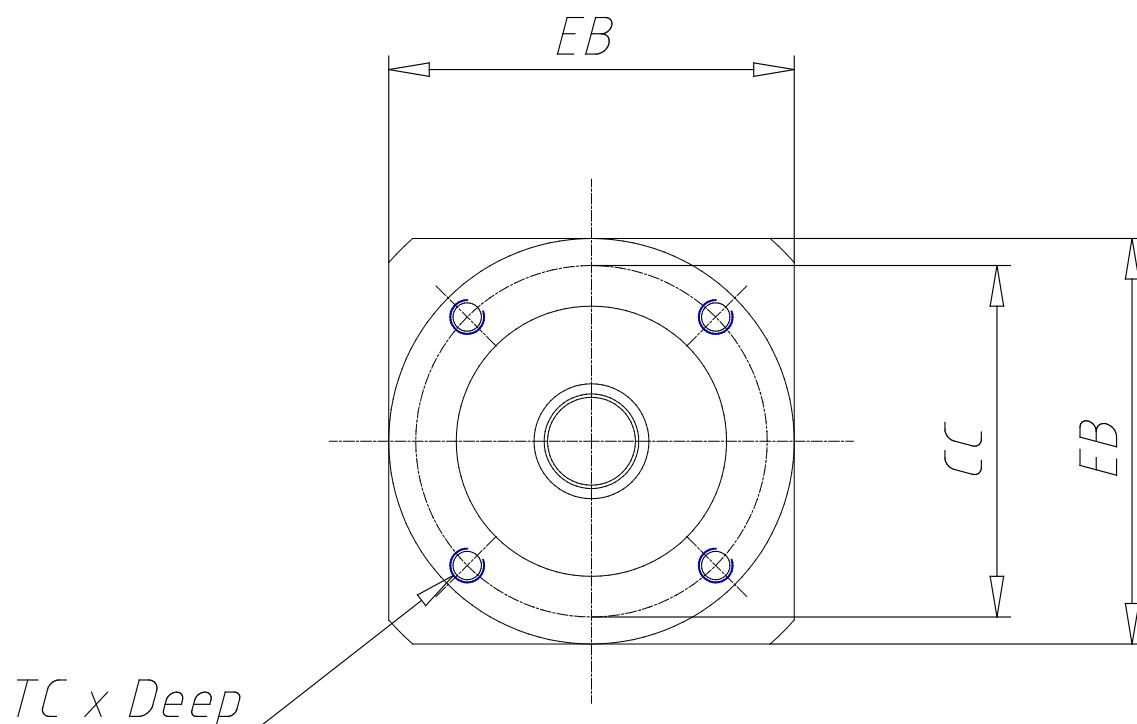


### TECHNICAL DATA

<b>DS (mm)</b>	25
<b>LS (mm)</b>	55
<b>DC (mm)</b>	80
<b>LC (mm)</b>	4
<b>CC (mm)</b>	100
<b>TC x Depth</b>	M10 x 16
<b>EA (mm)</b>	136.5
<b>EB (mm)</b>	130
<b>DG (mm)</b>	115
<b>DM (mm)</b>	24
<b>CM (mm)</b>	145.0
<b>TM x Depth</b>	M8 x 18
<b>Weight (kg)</b>	6.00

## Planetary gear in line - Mod.GB D

Product code: GB-120-10-D-1000



### DIMENSIONS

<b>DS (mm)</b>	25
<b>LS (mm)</b>	55
<b>DC (mm)</b>	80
<b>LC (mm)</b>	4
<b>CC (mm)</b>	100
<b>TC x Depth</b>	M10 x 16
<b>EA (mm)</b>	136.5
<b>EB (mm)</b>	130
<b>DG (mm)</b>	115
<b>DM (mm)</b>	24
<b>CM (mm)</b>	145.0
<b>TM x Depth</b>	M8 x 18
<b>Weight (kg)</b>	6.00