

Self aligning rod - Mod. GK

Product code: GK-12-16

Datasheet creation date: 07/03/2025 15:55

Check the most updated document online [click here](#)

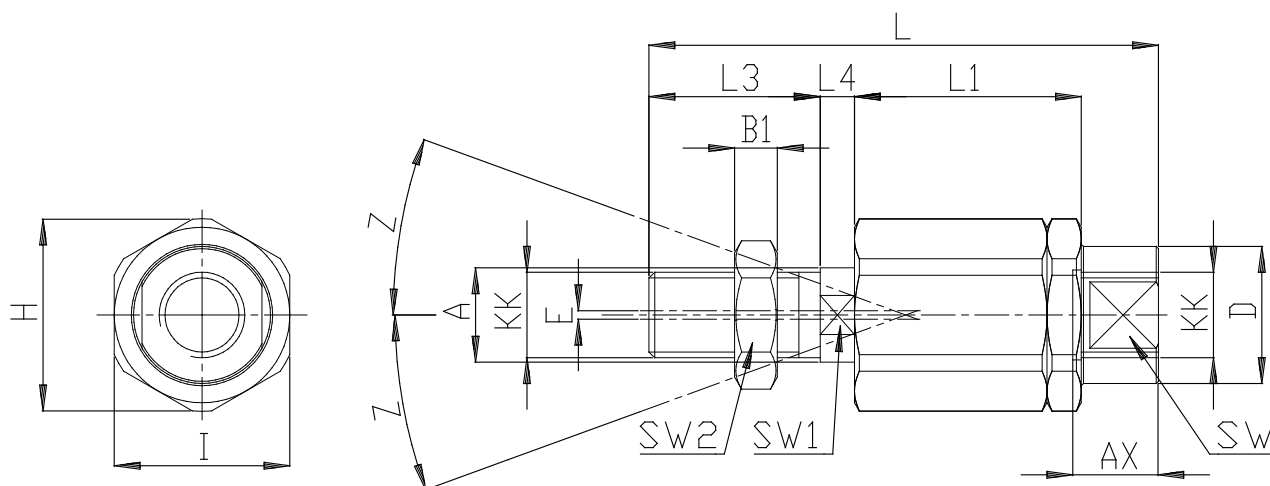


TECHNICAL DATA

Mod.	GK-12-16
------	----------

Self aligning rod - Mod. GK

Product code: GK-12-16



DIMENSIONS

KK	M6X1
L (mm)	35.0
L1 (mm)	17.5
L3 (mm)	11
L4 (mm)	2.5
A (mm)	6
D (mm)	8.5
H (mm)	14
I (mm)	13
SW (mm)	7
SW1 (mm)	5
SW2 (mm)	10
B1 (mm)	4
AX (mm)	12.5
Z (mm)	3
E (mm)	1