

Self aligning rod - Mod. GK

Product code: GK-160-200

Datasheet creation date: 07/03/2025 15:58

Check the most updated document online [click here](#)

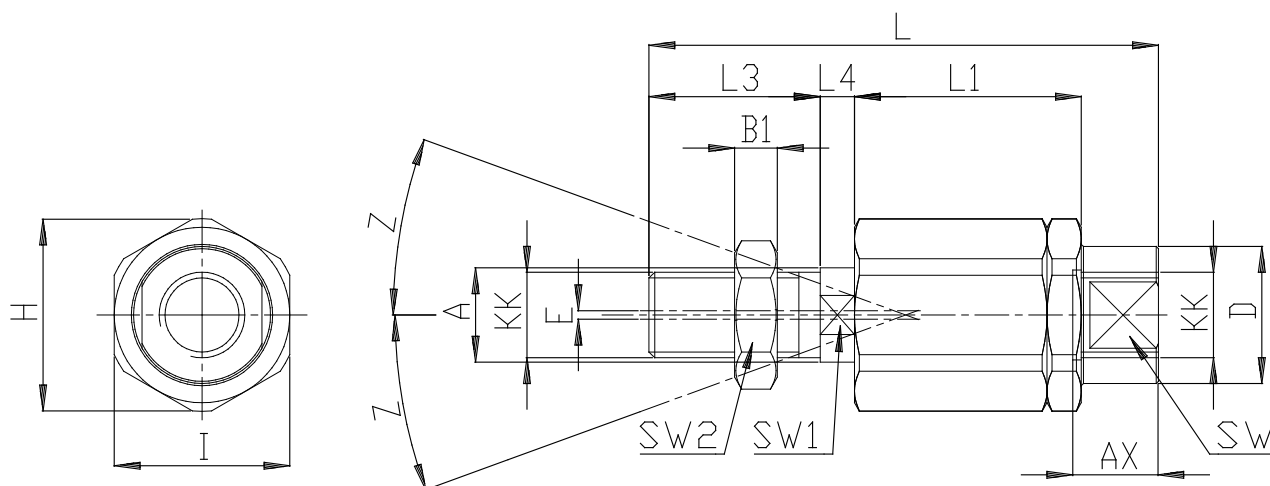


TECHNICAL DATA

Mod.	GK-160-200
------	------------

Self aligning rod - Mod. GK

Product code: GK-160-200



DIMENSIONS

KK	M36X2
L (mm)	190.0
L1 (mm)	77.0
L3 (mm)	72
L4 (mm)	15.5
A (mm)	39
D (mm)	57.0
H (mm)	75
I (mm)	70
SW (mm)	54
SW1 (mm)	32
SW2 (mm)	55
B1 (mm)	14
AX (mm)	68.0
Z (mm)	4
E (mm)	2