

Self aligning rod - Mod. GK

Product code: GK-20

Datasheet creation date: 07/03/2025 15:55

Check the most updated document online [click here](#)

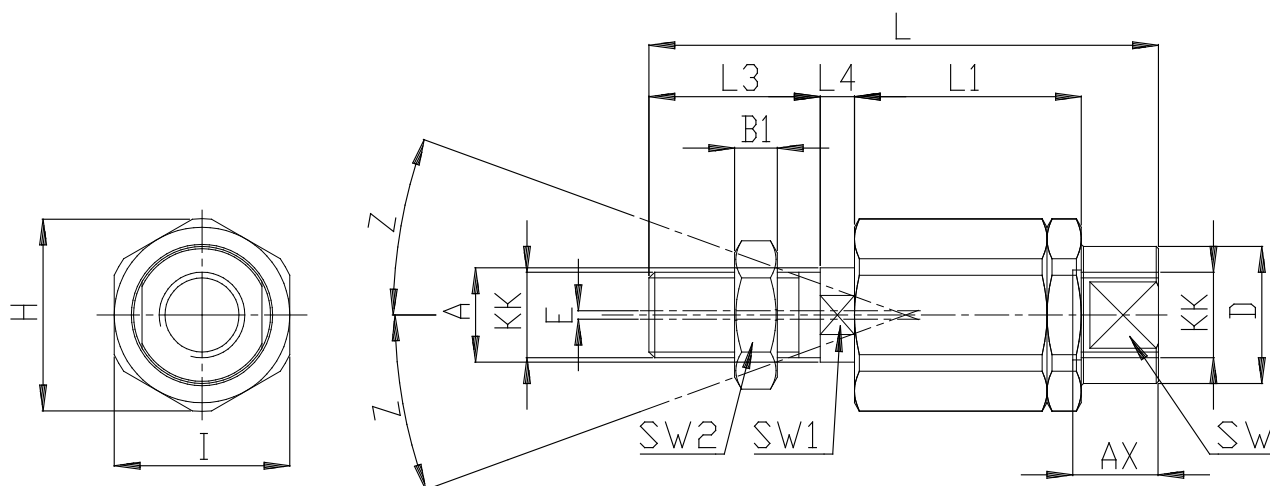


TECHNICAL DATA

Mod.	GK-20
------	-------

Self aligning rod - Mod. GK

Product code: GK-20



DIMENSIONS

KK	M8X1.25
L (mm)	57.0
L1 (mm)	26.0
L3 (mm)	21
L4 (mm)	5.0
A (mm)	8
D (mm)	12.5
H (mm)	19
I (mm)	17
SW (mm)	11
SW1 (mm)	7
SW2 (mm)	13
B1 (mm)	4
AX (mm)	16.0
Z (mm)	4
E (mm)	2