

## Self aligning rod - Mod. GK

Product code: GK-25-32

Datasheet creation date: 07/03/2025 16:02

Check the most updated document online [click here](#)

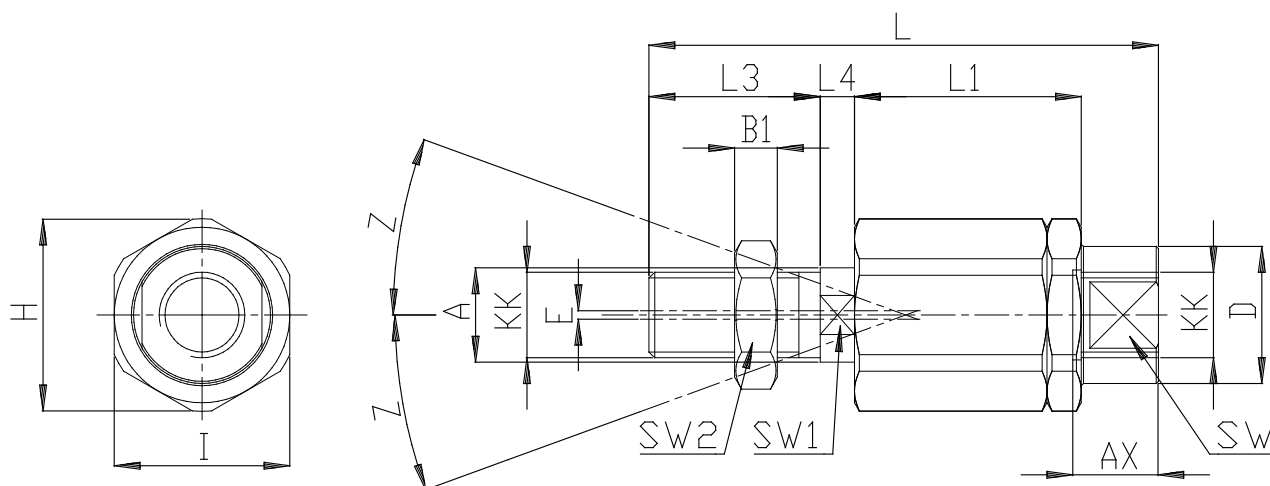


### TECHNICAL DATA

Mod.	GK-25-32
------	----------

## Self aligning rod - Mod. GK

Product code: GK-25-32



### DIMENSIONS

<b>KK</b>	M10X1.25
<b>L (mm)</b>	71.5
<b>L1 (mm)</b>	35.0
<b>L3 (mm)</b>	20
<b>L4 (mm)</b>	7.5
<b>A (mm)</b>	14
<b>D (mm)</b>	22.0
<b>H (mm)</b>	32
<b>I (mm)</b>	30
<b>SW (mm)</b>	19
<b>SW1 (mm)</b>	12
<b>SW2 (mm)</b>	17
<b>B1 (mm)</b>	5
<b>AX (mm)</b>	22.0
<b>Z (mm)</b>	4
<b>E (mm)</b>	2