

Self aligning rod - Mod. GK

Product code: GK-50-63

Datasheet creation date: 07/03/2025 16:03

Check the most updated document online [click here](#)

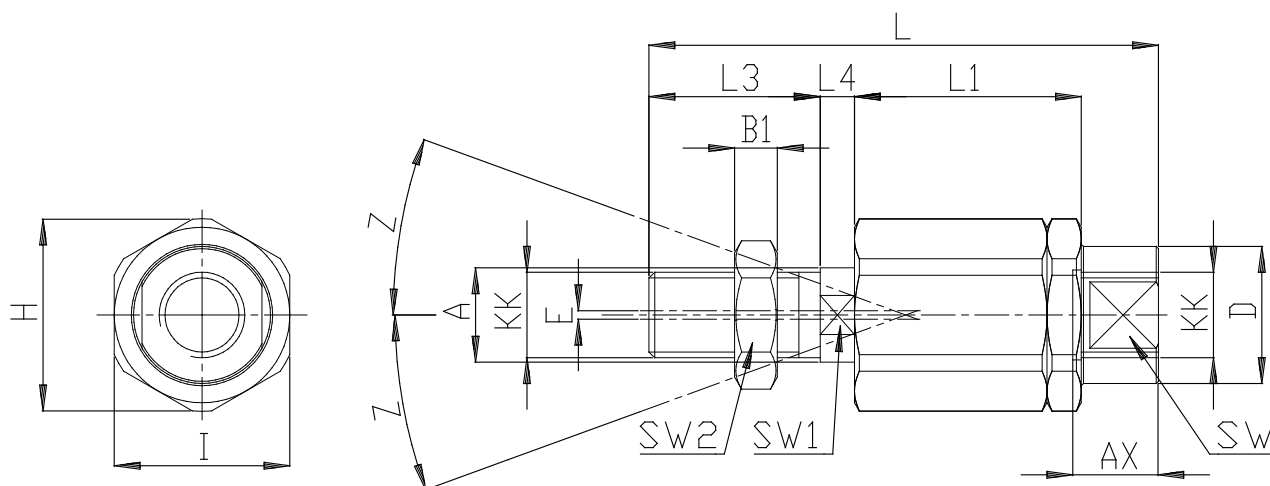


TECHNICAL DATA

Mod.	GK-50-63
------	----------

Self aligning rod - Mod. GK

Product code: GK-50-63



DIMENSIONS

KK	M16X1.5
L (mm)	104.0
L1 (mm)	53.0
L3 (mm)	32
L4 (mm)	10.0
A (mm)	22
D (mm)	32.0
H (mm)	45
I (mm)	41
SW (mm)	27
SW1 (mm)	20
SW2 (mm)	24
B1 (mm)	8
AX (mm)	30.0
Z (mm)	3
E (mm)	2