

Self aligning rod - Mod. GK

Product code: GK-80-100

Datasheet creation date: 07/03/2025 16:03

Check the most updated document online [click here](#)

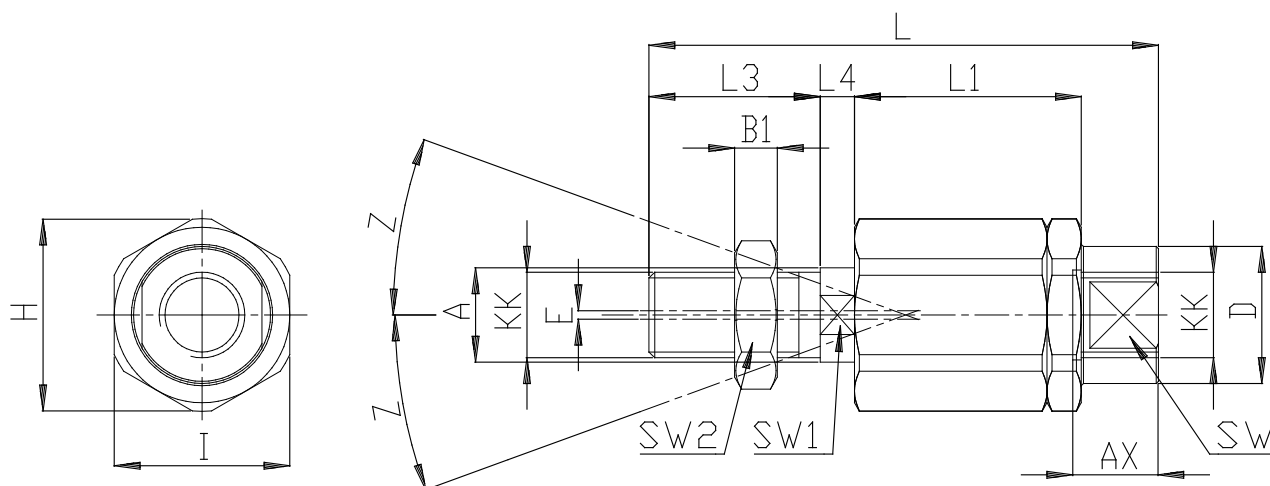


TECHNICAL DATA

Mod.	GK-80-100
------	-----------

Self aligning rod - Mod. GK

Product code: GK-80-100



DIMENSIONS

KK	M20X1.5
L (mm)	119
L1 (mm)	53
L3 (mm)	40
L4 (mm)	10
A (mm)	22
D (mm)	32
H (mm)	45
I (mm)	41
SW (mm)	27
SW1 (mm)	20
SW2 (mm)	30
B1 (mm)	10
AX (mm)	37
Z (mm)	3
E (mm)	2