

Self compensating adaptor - Mod. GKF

Product code: GKF-125

Datasheet creation date: 07/03/2025 16:03

Check the most updated document online [click here](#)

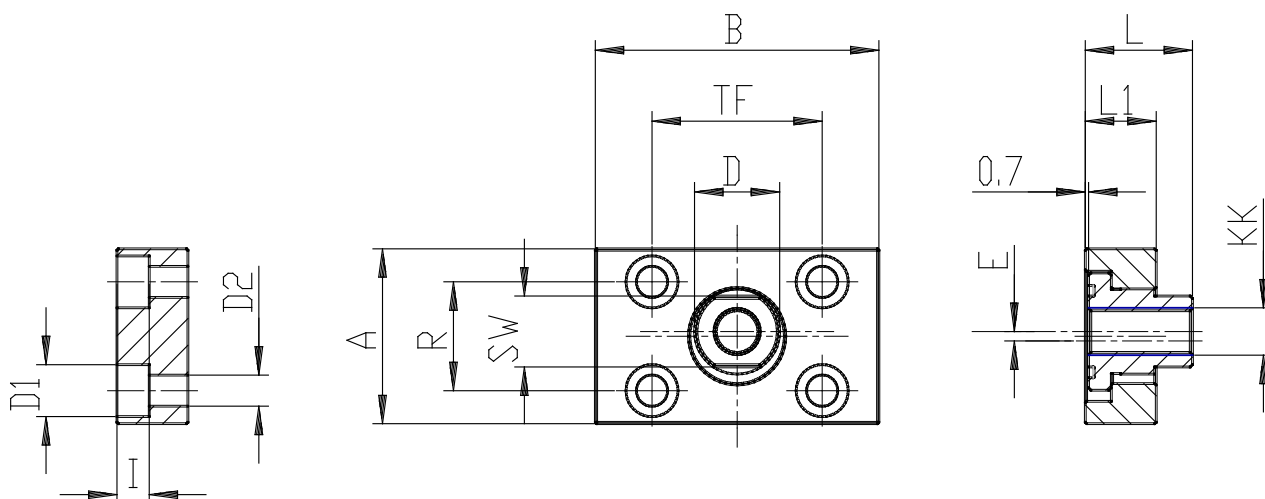


TECHNICAL DATA

Mod.	GKF-125
------	---------

Self compensating adaptor - Mod. GKF

Product code: GKF-125



DIMENSIONS

KK	M27X2
A (mm)	90
B (mm)	90
R (mm)	65
TF (mm)	65
L (mm)	35.5
L1 (mm)	20
I (mm)	13.0
D (mm)	40.0
D1 (mm)	20.0
D2 (mm)	14.0
SW (mm)	36
E (mm)	4.0