

Self compensating adaptor - Mod. GKF

Product code: GKF-40

Datasheet creation date: 07/03/2025 16:03

Check the most updated document online [click here](#)

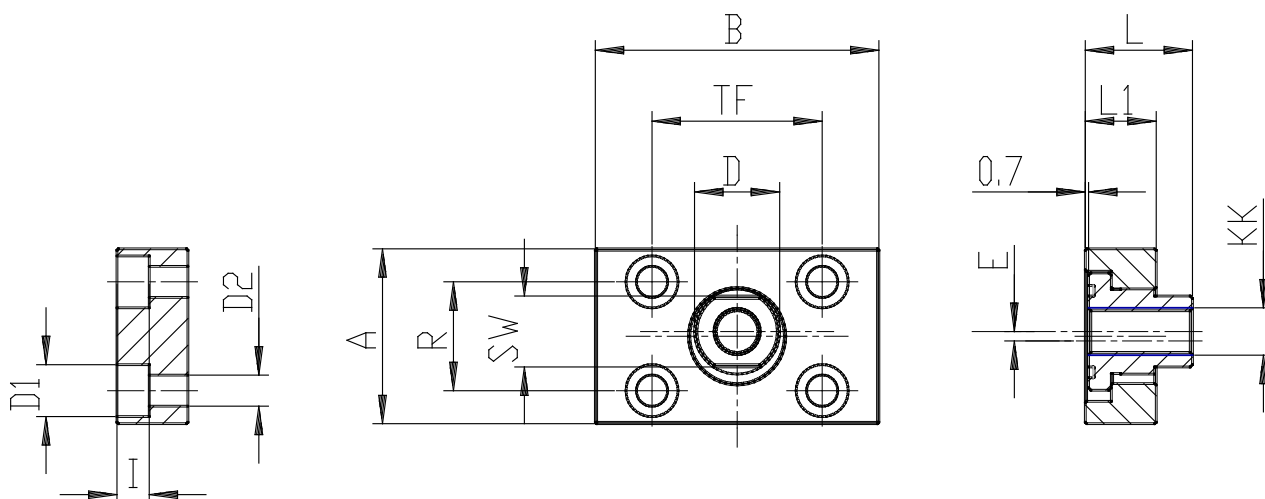


TECHNICAL DATA

| | |
|------|--------|
| Mod. | GKF-40 |
|------|--------|

Self compensating adaptor - Mod. GKF

Product code: GKF-40



DIMENSIONS

| | |
|---------|----------|
| KK | M12X1,25 |
| A (mm) | 56 |
| B (mm) | 60 |
| R (mm) | 38 |
| TF (mm) | 42 |
| L (mm) | 22.5 |
| L1 (mm) | 15 |
| I (mm) | 9.0 |
| D (mm) | 20.0 |
| D1 (mm) | 15.0 |
| D2 (mm) | 9.0 |
| SW (mm) | 15 |
| E (mm) | 2.5 |