

## Self compensating adaptor - Mod. GKF

Product code: GKF-50-63

Datasheet creation date: 07/03/2025 16:03

Check the most updated document online [click here](#)

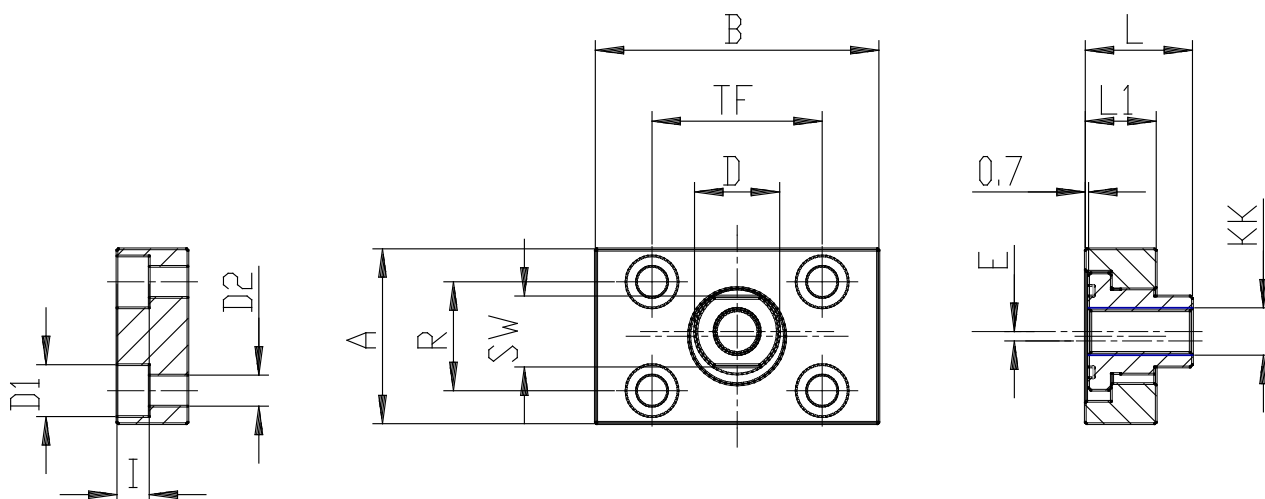


### TECHNICAL DATA

Mod.	GKF-50-63
------	-----------

## Self compensating adaptor - Mod. GKF

Product code: GKF-50-63



### DIMENSIONS

KK	M16X1,5
A (mm)	80
B (mm)	80
R (mm)	58
TF (mm)	58
L (mm)	26.5
L1 (mm)	15
I (mm)	10.5
D (mm)	25.0
D1 (mm)	18.0
D2 (mm)	11.0
SW (mm)	22
E (mm)	2.5