

## Self compensating adaptor - Mod. GKF

Product code: GKF-80-100

Datasheet creation date: 07/03/2025 16:03

Check the most updated document online [click here](#)

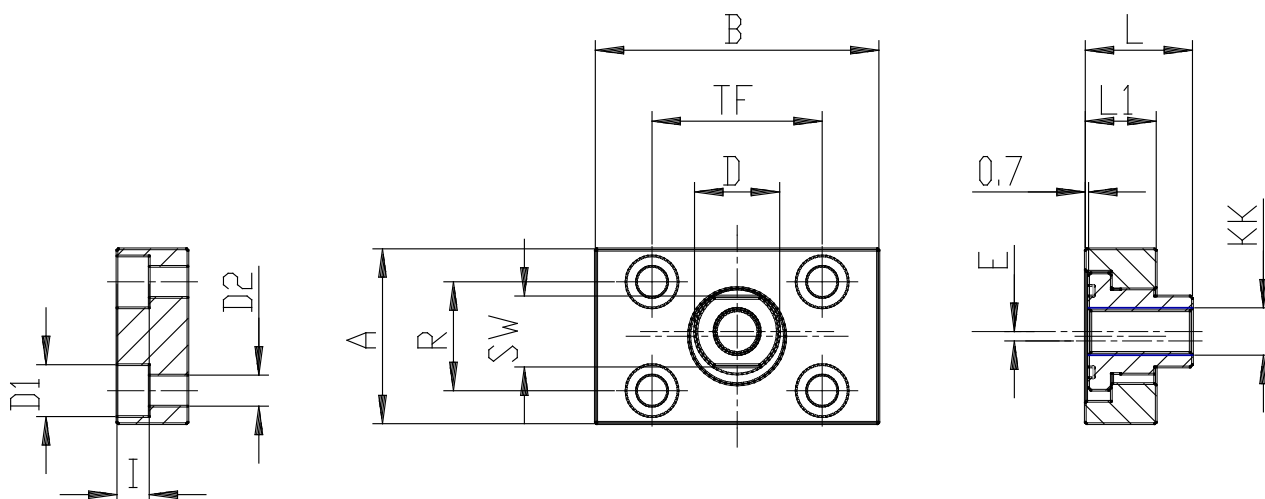


### TECHNICAL DATA

Mod.	GKF-80-100
------	------------

## Self compensating adaptor - Mod. GKF

Product code: GKF-80-100



### DIMENSIONS

KK	M20X1,5
A (mm)	90
B (mm)	90
R (mm)	65
TF (mm)	65
L (mm)	32.5
L1 (mm)	20
I (mm)	13.0
D (mm)	30.5
D1 (mm)	20.0
D2 (mm)	14.0
SW (mm)	27
E (mm)	2.5