

Valves - Series GMCO

Product code: GMCO 903-1/8-6

Datasheet creation date: 10/03/2025 12:11

Check the most updated document online [click here](#)

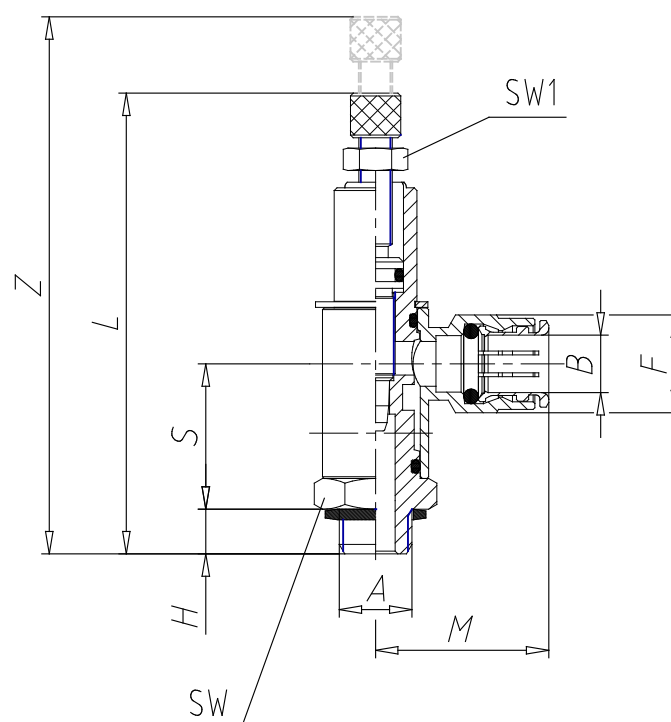


TECHNICAL DATA

Mod.	GMCO 903-1/8-6
------	----------------

Valves - Series GMCO

Product code: GMCO 903-1/8-6



DIMENSIONS

A	G1/8
B (mm)	6
S (mm)	22.5
H (mm)	5
L (mm)	65.5
(mm)	50.0
Z (mm)	72.5
M (mm)	26.5
F (mm)	13.0
SW (mm)	14
SW1 (mm)	7.0