

## Valves - Series GMCO

Product code: GMCO 906-1/4-10

Datasheet creation date: 10/03/2025 12:11

Check the most updated document online [click here](#)

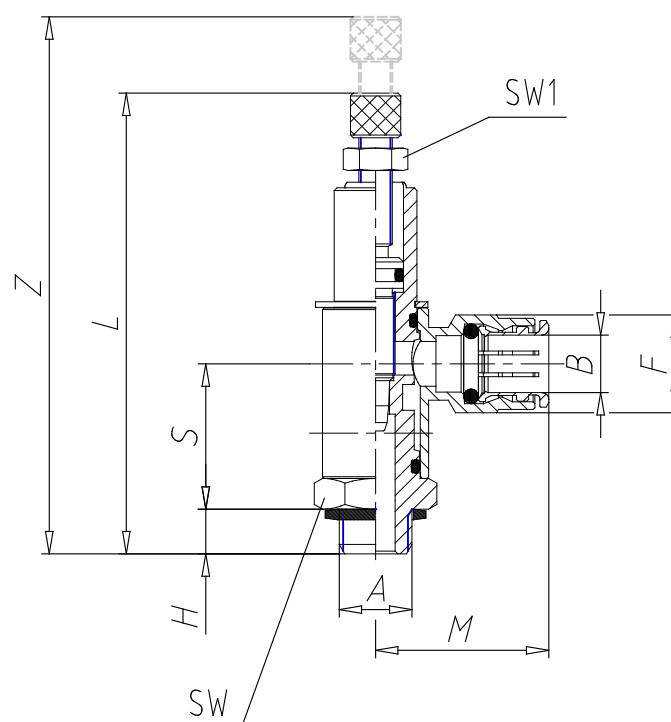


### TECHNICAL DATA

Mod.	GMCO 906-1/4-10
------	-----------------

## Valves - Series GMCO

Product code: GMCO 906-1/4-10



### DIMENSIONS

<b>A</b>	G1/4
<b>B (mm)</b>	10
<b>S (mm)</b>	27.0
<b>H (mm)</b>	7
<b>L (mm)</b>	85.0
<b>(mm)</b>	67.5
<b>Z (mm)</b>	97.5
<b>M (mm)</b>	31.0
<b>F (mm)</b>	17.5
<b>SW (mm)</b>	19
<b>SW1 (mm)</b>	10.0