

Valves - Series GMCO

Product code: GMCO 913-M5-3

Datasheet creation date: 10/03/2025 12:11

Check the most updated document online [click here](#)

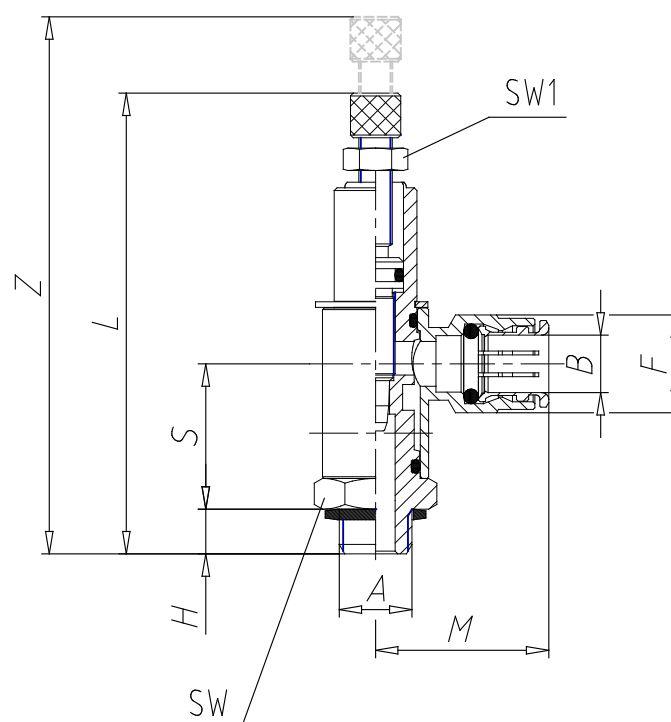


TECHNICAL DATA

Mod.	GMCO 913-M5-3
------	---------------

Valves - Series GMCO

Product code: GMCO 913-M5-3



DIMENSIONS

A	M5
B (mm)	3
S (mm)	12.0
H (mm)	3
L (mm)	37.0
(mm)	27.5
Z (mm)	41.5
M (mm)	12.5
F (mm)	6.5
SW (mm)	8
SW1 (mm)	5.5