

## Valves Series GMCU - Valves Series GMCU

Product code: GMCU 04-02

Datasheet creation date: 10/03/2025 12:11

Check the most updated document online [click here](#)

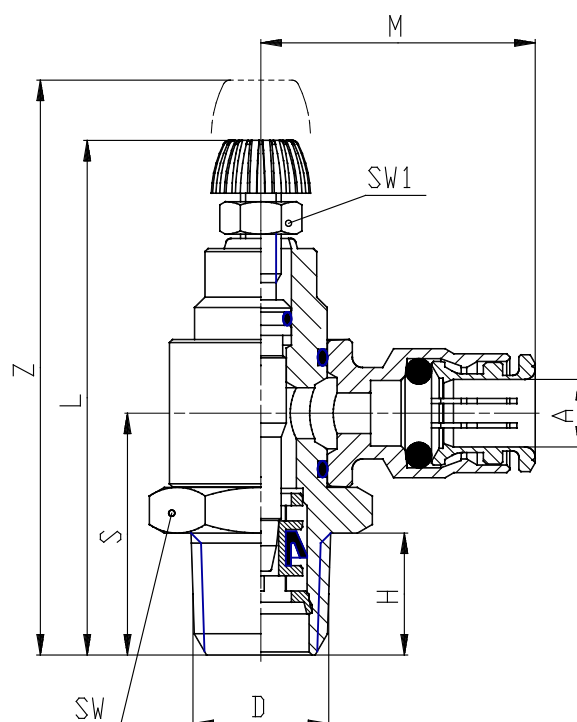


### ■ TECHNICAL DATA

Mod.	GMCU 04-02
------	------------

## Valves Series GMCU - Valves Series GMCU

Product code: GMCU 04-02



### DIMENSIONS

<b>A</b>	1/4
<b>D (INCH)</b>	1/8
<b>S (INCH)</b>	0.787
<b>H (INCH)</b>	0.315
<b>L (INCH)</b>	1.791
<b>Z (INCH)</b>	2.008
<b>M (INCH)</b>	0.965
<b>SW (INCH)</b>	0.551
<b>SW1 (INCH)</b>	0.276