

## Valves Series GMCU - Valves Series GMCU

Product code: GMCU 04-04

Datasheet creation date: 10/03/2025 12:11

Check the most updated document online [click here](#)

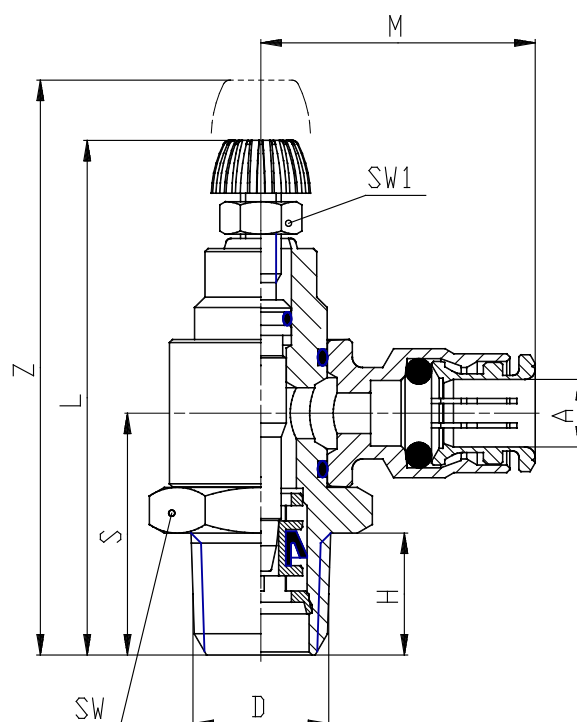


### TECHNICAL DATA

Mod.	GMCU 04-04
------	------------

## Valves Series GMCU - Valves Series GMCU

Product code: GMCU 04-04



### DIMENSIONS

<b>A</b>	1/4
<b>D (INCH)</b>	1/4
<b>S (INCH)</b>	0.945
<b>H (INCH)</b>	0.472
<b>L (INCH)</b>	1.988
<b>Z (INCH)</b>	2.224
<b>M (INCH)</b>	1.043
<b>SW (INCH)</b>	0.748
<b>SW1 (INCH)</b>	0.276