

Valves - Series GMVU

Product code: GMVU 913-M5-3

Datasheet creation date: 10/03/2025 12:12

Check the most updated document online [click here](#)

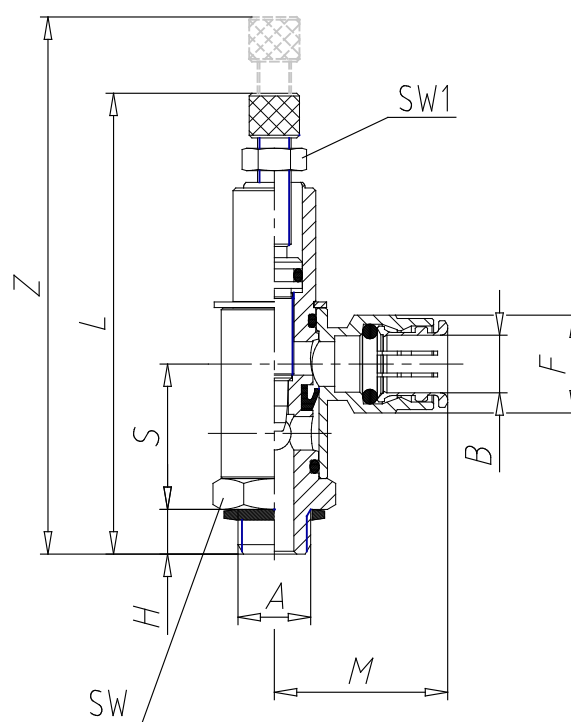


TECHNICAL DATA

Mod.	GMVU 913-M5-3
------	---------------

Valves - Series GMVU

Product code: GMVU 913-M5-3



DIMENSIONS

A (A)	M5
B (B / mm)	3
S (S / mm)	12.0
H (H / mm)	3
L (L / mm)	37.0
Z (Z / mm)	41.5
M (M / mm)	12.5
F (F / mm)	6.5
SW (SW / mm)	8
SW1 (SW1 / mm)	5.5