

Valves - Series GSCO

Product code: GSCO 803-1/8-6

Datasheet creation date: 10/03/2025 12:12

Check the most updated document online [click here](#)

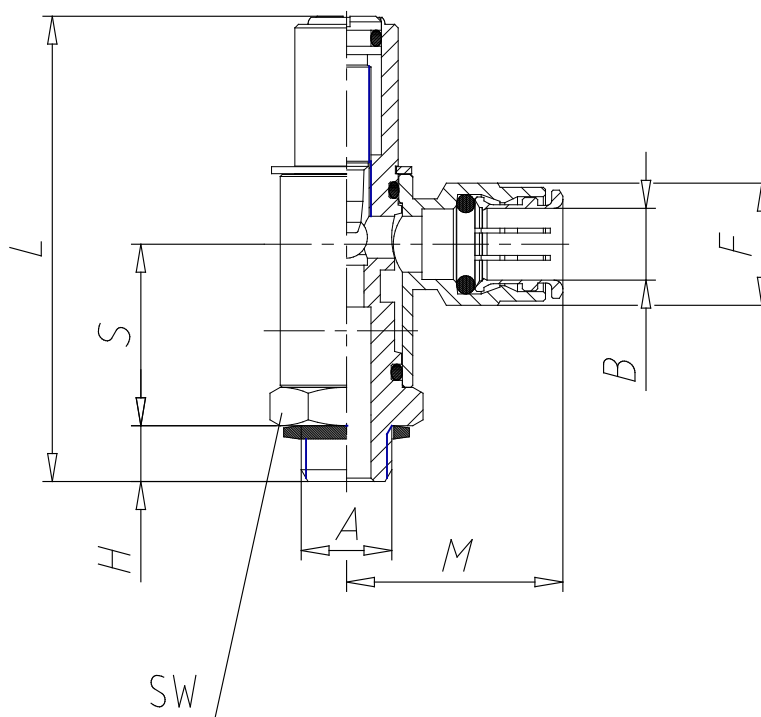


TECHNICAL DATA

Mod.	GSCO 803-1/8-6
------	----------------

Valves - Series GSCO

Product code: GSCO 803-1/8-6



DIMENSIONS

A	G1/8
B (mm)	6
S (mm)	22.5
H (mm)	5
L (mm)	50.0
M (mm)	26.5
F (mm)	13.0
SW (mm)	14